

5020-0105 CO2 Monitor (CO2+Temp.+RH) Operating Instructions

Product Overview

Thank you for selecting 5020-0105 desktop CO2 monitor, 5020-0105 CO2 monitor is smart, compact and easy-to-use. In addition to measuring the CO2 concentration, 5020-0105 can also measure the ambient temperature and the relative humidity (CO2+Temp. +RH). This product is developed to detect the presence of CO2 in ambient air and help people to take care of Indoor Air Quality. 5020-0105 can be widely used in the office building, school, exhibition hall, shopping mall, meeting room, fitness center, restaurant and other public places where personal comfort, healthy is important.

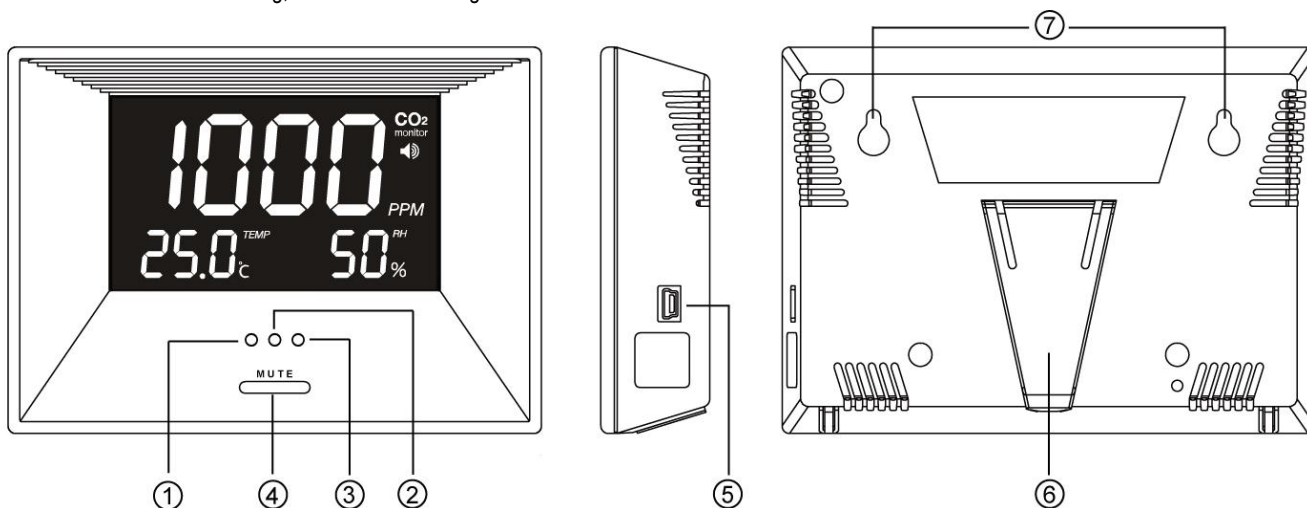
Features:

- ,V Three different LED display shows the current Indoor Air Quality
- ,V Press MUTE button for alarm on/off.
- ,V Built in the LCD Backlight for easy reading in the dark.

Warnings:

- ,V Please take off the AC power adapter and store it well when this CO2 monitor left idle for long.
- ,V This CO2 monitor is for home use, not suitable for certifying the test results.
- ,V If use this CO2 monitor for testing,5020-0105 does not guarantee the test results.

1. Green LED Display (<800ppm)
2. Yellow LED Display (800-1200ppm)
3. Red LED Display (>1200ppm & buzzer alarm)
4. Mute Button
5. Power Inlet
6. Housing Stand
7. Screw Position



EMC/RFI

Readings may be affected if the unit is operated within radio frequency electromagnetic field strength of approximately 3 volts per meter, but the performance of the instrument will not be permanently affected.

Note: Under the electromagnetic field of 3V/m, the reading will not meet the specification.

Warm-Up Time: 2 MIN.

The diagram shows the CO2 monitor's display during warm-up. The top row of digits shows four bars (8888) with a 1-second blank cycle. The bottom row shows the temperature (25.0 °C) and relative humidity (58%).

1. 2 min. warm-up time when first time power.
2. The LCD shows 4 bars with 1sec blank cycle during warm-up
3. The MUTE button is disabled during warm-up
4. The device shows the CO2 reading after warm-up

Using the MUTE function:

The diagram shows the CO2 monitor's display with a CO2 concentration of 1200 PPM. A MUTE button is shown being pressed, resulting in the same display.

Press MUTE button to select buzzer on/off. If the "MUTE" function is off, while CO2 concentration exceed the alarm level (>1200 ppm), there will be a buzzer.

Note: The device setting with alarm is buzzer on when power on first time, user can set the alarm on/off under MUTE function.

Safety Instructions

Warning: Your safety is very important to us. To ensure to use the product correctly and safely, we would like to draw your attention to read the warning and entire User Manual before using the product. These are important safety information and should be observed at all times.

1. Please handle the devices lightly, do not subject the product to impact or shock.
2. Do not immerse the product in water. Water can cause electric shock, fire or malfunction which may result in damage.
3. Do not keep the product under the hot and moisture environment. Keep the product away from the heat source or near water.
4. Please use only the included power adaptor. Improper power adaptor or power sources can cause serious damage to the product, or result in injury or death to the user.

Caring for product

To ensure you receive the maximum benefit from using this product, please observe the follow guidelines.

1. Cleaning— Disconnect the power before clean. Use a damp cloth, do not use the liquid cleaning agent, such as benzene, thinner or aerosols.
2. Repair— Do not attempt to repair the product or modify the circuitry by yourself. Please contact with the local dealer or a qualified repairman if the product

needs servicing.

3. Air circulation---The vents allow the air circulation liquid for measurement of the CO2 concentration and the ventilation should not be blocked.

SPECIFICATIONS

Method - NDIR

Display - LCD Independent CO2, RH and Temperature readings

Sample Method - Diffusion or flow through (50 ~200 ml/min)

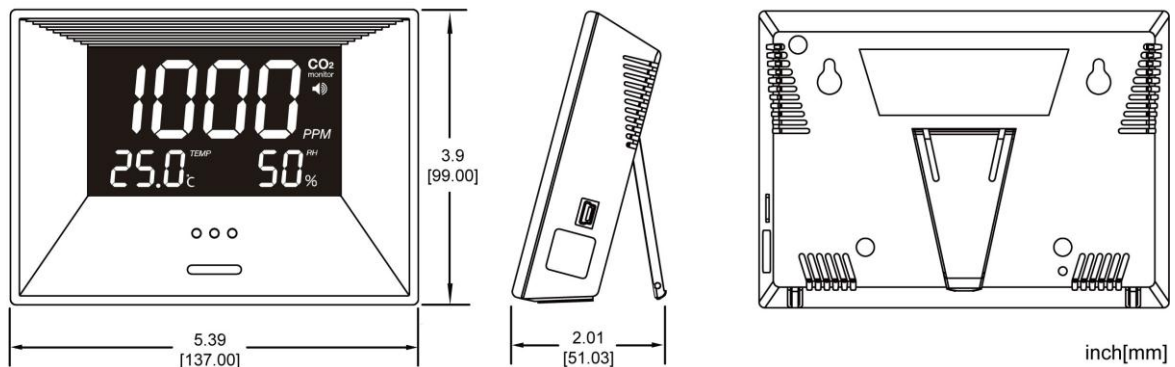
CO2 & Temperature Specification:

CO2 Specification:	
Measurement Range	0-3,000 ppm display
Display Resolution	1ppm at 0~1,000ppm; 5ppm at 1,001~2,000ppm; 10ppm at 2,001~3,000ppm
Repeatability	±20 ppm @ 400ppm
Response Time	About 2min for 63% of step change
Warm-Up Time	2 min. at 22°C
Zone LED Display	Green: <800ppm; Yellow: 800~1200ppm;Red: >1200ppm
Temperature Specification:	
Temperature Range	0°C to 50°C display
Display Resolution	0.1°C
Display Unit	°C
Response Time	20-30 minutes (case must equalize with environment)
RH Specification:	
Measurement Range	20%-90% RH
Display Resolution	1%RH
Response time:	<5 min for 63% of step change
Operating Conditions:	
Operating Temperature	0°C to 50°C
Humidity Range	0 ~ 95% RH non-condensing
Storage Conditions:	
Storage Temperature	-20°C to 60°C

Power Supply:

Power Supply	USB or 5 VDC from external AC/DC adapter which is included in package (Use specified AC adapter only)
DC Output voltage	5 VDC, 1000mA
AC Input voltage & Frequency	100 ~ 240 VAC, 0.2A 50 / 60 Hz

Dimension



Fault Codes & Troubleshooting Guide

Fault Icon	Description of the fault	Suggested Actions
「Err3」	The ambient temperature has exceeded the operating temperature range 0°C to 50°C	This error will clear when the temperature returns to the range between 0°C to 50°C
「Err5」 「Err6」	EEPROM System Problem	Please reconnect AC adapter to 5020-0105 CO2 Monitor. If the "Err5, Err6" still appears, please contact the Service Department for further assistance.

